

Value Flighted Conveyor

Overview

Streamfeeder Value Collator Bases are designed to add automation to equipment such as automatic shrink wrappers, poly-baggers, cartoners, and banders; or manual gathering and collating. Flighted infeeds can be configured for a wide variety of applications. The Value Collator Bases are available in standard 3', 6' and 9' lengths.

Adjustable height provides easy integration to a variety of packaging equipment. Add our feeders, placers and control systems to complete your automation needs.

Standard Features

- Tool-less setups and changeovers
- Powder-coated steel and stainless steel construction
- Tube frame legs with casters
- Easy to use controls
- Right-to-left operation
- Variable speed
- E-stop

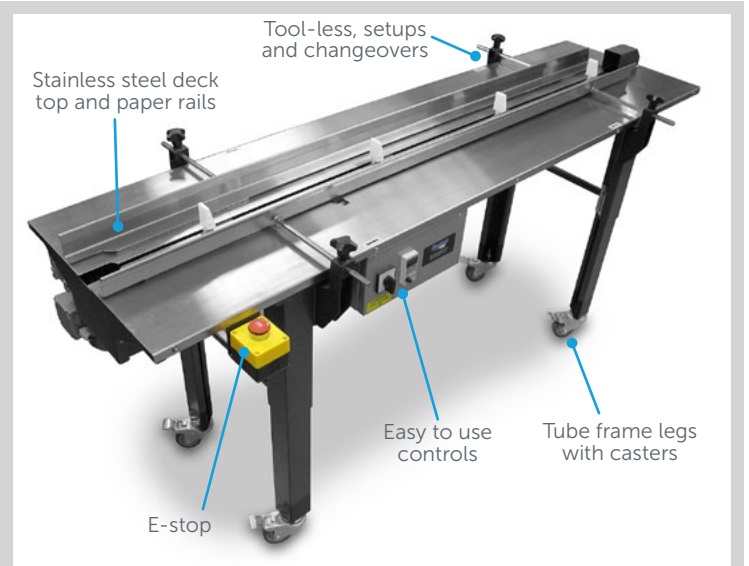
Applications

- Accumulating
- Banders
- Collators
- Gathering
- L-Bar Sealers
- Poly Wrappers
- Shrink Wrappers

Products

- Backer Board
- Booklets
- Brochures
- Cardstock
- Collapsed Cartons
- Envelopes
- Folded Documents
- Folders
- Manuals
- Post Cards
- Sheet Paper
- Signage

Contact our experienced sales team today for a comprehensive review of your application/product and see how our Value Flighted Conveyor can benefit your company.



Specifications

Maximum Product Size

18" wide x 12" long (457 x 305 mm)

Minimum Product Size

2.5" wide x 4" long (64 x 102 mm)

Side Guide Height

2" (51 mm)

Speed

0 - 110 ft/min (0 - 35.5 cm/min), 75 pockets/min

Lug Spacing

18" (457 mm)

Utilities

230vac, 50/60Hz, 10A

Discharge Height

23"-34" (59-86 cm)

Conveyor lengths

3', 6', 9'

Warranty

One year limited

Other sizes and thickness capabilities available.

Hayssen | Rose Forgrove | Sandiacre | Schib | Simionato | Streamfeeder | Symach | Thiele

Streamfeeder - BW Flexible Systems

315 27th Avenue Northeast | Minneapolis, MN 55418 USA

+1 (763) 502-0000 Streamfeeder.com

2022.02

barrywehmiller
bw
betterworld