

# Vacuum Transport

## Overview

Streamfeeder's Vacuum Transport is configured for applications requiring bar code reading, data scanning, printing, coding, labeling, and more.

Vacuum holds the product to the belt decreasing the chance for skewing while increasing accuracy and improving tolerances.

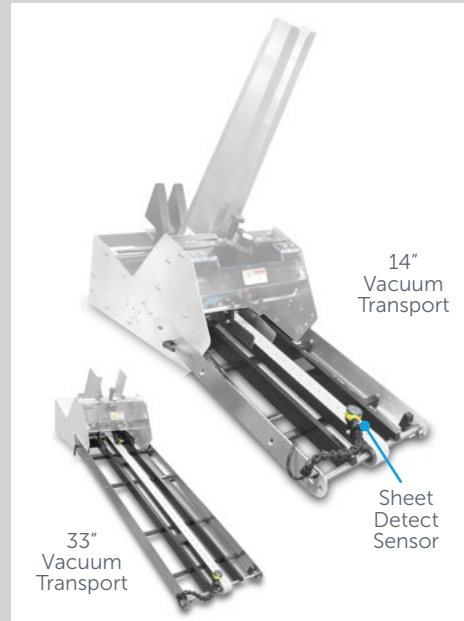
## Applications

- Bar Code Verification
- Camera Inspection
- Date/Lot Code Printers
- Flow Wrappers
- Labelers
- Quality Inspection
- Shrink Wrappers

## Products

- Advertisements
- Backer Cards
- Business Reply Cards
- Collapsed Cartons
- Coupons
- Instruction Sheets
- Invoices
- Labels
- Pharma Inserts
- Pick Lists
- Sheet Paper
- Signs
- Sleeves
- Stickers

Contact our experienced sales team today for a comprehensive review of your application/product and see how our Vacuum Transport can benefit your company.



Specifications
<b>Maximum Product Size</b> 10" wide x 14" long (305 x 357 mm)*
<b>Minimum Product Size</b> 2" wide x 2.5" long (51 x 64 mm)
<b>Min/Max Product Thickness</b> .003 - 1.00 in (.076 - 25.4 mm)
<b>Belt Speed</b> Up to 7000 in/min (178 m/min) Optional 33 inch transport: Up to 2500 in/min (63 m/min)
<b>Utilities</b> Optional Vacuum Blower: 115/230vac, 50/60Hz, 18/6A
<b>Warranty</b> One year limited
Other sizes and thickness capabilities available. *12 inches wide without transport guides.