

Vacuum Conveyor

Overview

Streamfeeder's Vacuum Conveyor provides a feeding and conveying foundation for labeling, marking & coding, printing, barcode reading, and more. Open table design allows clearance for peripheral equipment. Casters allow it to be easily rolled.

Consistently feed and transport a wide variety of products at speeds up to 245 feet per minute. Can be used as an offline or inline with other systems.

Standard Features

- 65 inch deck length
- Dual vacuum belts
- Aluminum deck top
- Variable speed control
- Heavy-duty construction
- Adjustable outside belts
- Push button controls
- Adjustable product guides

Optional Features

- Streamfeeder Feeders
- Shinging Conveyor
- Diverter
- Glue systems
- Placers
- Plow Folds
- Counter
- Turnover
- Bump Turn
- Various deck lengths
- High-Temp resistant belts

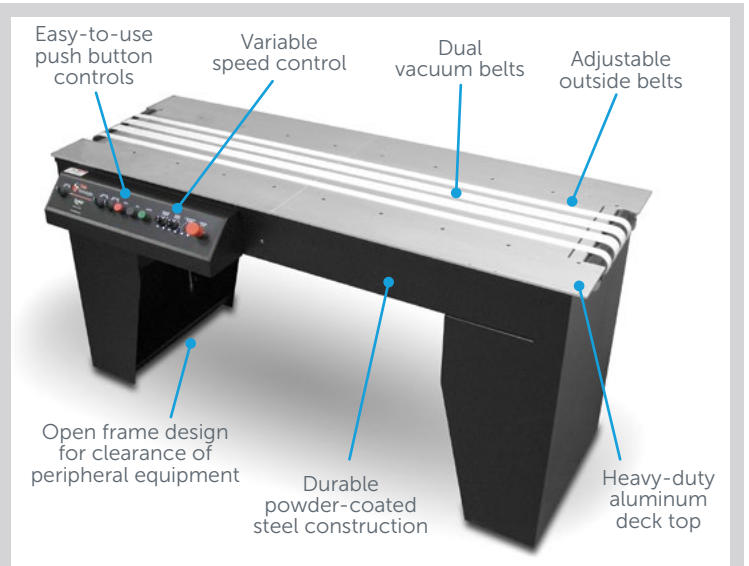
Applications

- Addressing
- Attaching
- Coding
- Date Stamping
- Labeling
- Printing
- Scanning
- Tip-On/Affixing
- Tabbing
- Verification

Products

- Backer Board
- Booklets
- Brochures
- Cardstock
- Collapsed Cartons
- Envelopes
- Foil Pouches
- Folded Documents
- Folders
- Manuals
- Post Cards
- Sheet Paper
- Tyvek Pouches

Contact our experienced sales team today for a comprehensive review of your application/product and see how our Vacuum Transport can benefit your company.



Specifications

Transport Direction

Left to right (optional right to left)

Maximum Product Size

20" wide x 18" long (508 x 457.2 mm)

Minimum Product Size

2" wide x 3" long (50.8 x 76.2 mm)

Maximum Product Thickness

Up to .5" (12.7 mm), product dependent

Belt Speed

245 ft/min (75 m/min)

Utilities

115vac, 50/60Hz, 7A

Deck Height

33"-37" (84-91 cm)

Warranty

One year limited

Other sizes and thickness capabilities available.

Hayssen | Rose Forgrove | Sandiacre | Schib | Simionato | Streamfeeder | Symach | Thiele

Streamfeeder - BW Flexible Systems

315 27th Avenue Northeast | Minneapolis, MN 55418 USA

+1 (763) 502-0000 Streamfeeder.com

2022.02

barrywehmiller
bw
betterworld