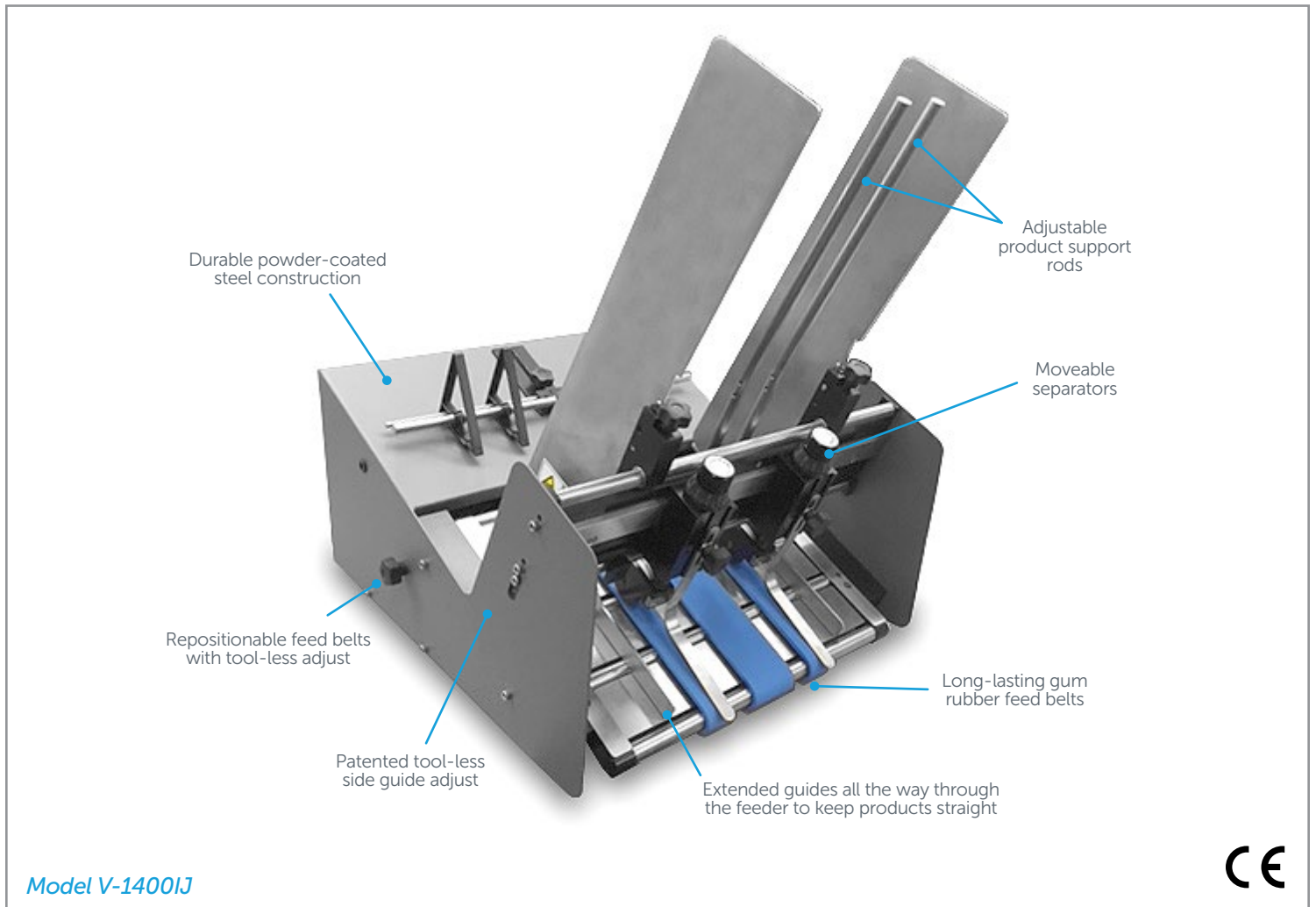


V Series Inkjet Feeders



The most reliable and safest continuous inkjet feeders in the market today! Streamfeeder's V Series Friction Feeders are capable of feeding a wide variety of flat and multi-thickness products consistently at high speeds with exceptional alignment qualities. The importance of straight feeding and minimizing skewing can help improve USPS® MERLIN™ verification results, leading to significant savings for you.

V Series Inkjet Feeders

Standard Features

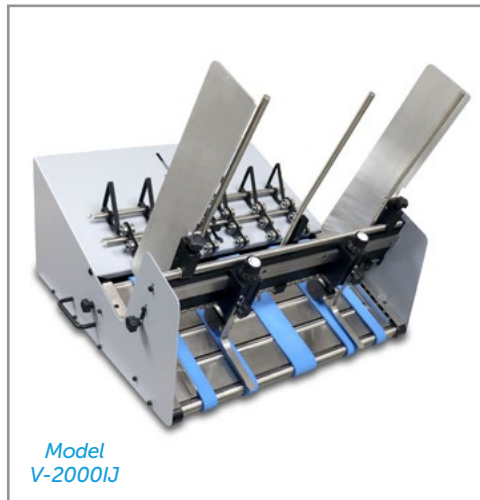
- Repositionable feed belts
- Patented side guide hopper adjust
- Extended guides for product squaring
- Two moveable separators
- Long lasting natural gum rubber feed belts
- Variable speed control (local and remote)
- Run enable interface
- Heavy-duty construction
- Powder-coated steel frame
- Adjustable product support rods
- Optional cabinet mounting base for V-900IJ

Applications

- Addressing
- Coding
- Folding
- Inkjet Bases
- Labeling
- Printing
- Scanning
- Tabbing
- Tip-On
- Verification

Products

- Brochures
- Business Cards
- Cardstock
- C-Folds
- Envelopes
- Flat Cartons
- Foil Pouches
- Manuals
- Payment Booklets
- Plastic Cards
- Post Cards
- Sheet Paper
- Tyvek Pouches
- Z-Folds



Contact our experienced sales team today for a comprehensive review of your application/product and see how our V Series Friction Feeders can benefit your company.

Specifications for V-900IJ	
Maximum Product Size	9.25" wide x 11" long (235 x 279 mm)
Minimum Product Size	2.125" wide x 2.25" long (54 x 64 mm)
Min/Max Product thickness	.003" - .250" (.076 - 6.35 mm)
Belt Speed	4,800 in/min (121.9 m/min)
Utilities	115vac, 60Hz, 2.5A
Weight	19 lbs. (8.62 kg)
Warranty	One year limited

Specifications for V-1400IJ	
Maximum Product Size	14" wide x 18" long (355 x 457 mm)
Minimum Product Size	2.5" wide x 3" long (63.5 x 76.2 mm)
Min/Max Product thickness	.003" - 1.0" (.076 - 25.4 mm)
Belt Speed	7,800 in/min (198 m/min)
Utilities	115/230vac, 50/60Hz, 3A
Weight	47 lbs. (21.32 kg)
Warranty	Two year limited

Specifications for V-2000IJ	
Maximum Product Size	20" wide x 18" long (508 x 457 mm)
Minimum Product Size	2.5" wide x 3" long (63.5 x 76.2 mm)
Min/Max Product thickness	.003" - 1.0" (.076 - 25.4 mm)
Belt Speed	7,800 in/min (198 m/min)
Utilities	115/230vac, 50/60Hz, 3A
Warranty	Two year limited

Other sizes and thicknesses available.
--