

Batching Tray

Overview

Designed to replace manual counting, spearing, and weighing, Streamfeeder's Batching Tray System is packed with unique features that make it the best value in the marketplace today. Automate your batch counting operations by adding this batch tray to one of our related feeders. Simply remove the finished batch and place into your semi-automatic L-bar sealer, bander, or strapper for accurate, mistake free batches. Tool-less adjustments make for quick set up and maximum versatility.

Features and Benefits

- Up to 3" stack height
- Adjustable guides
- Ergonomic design

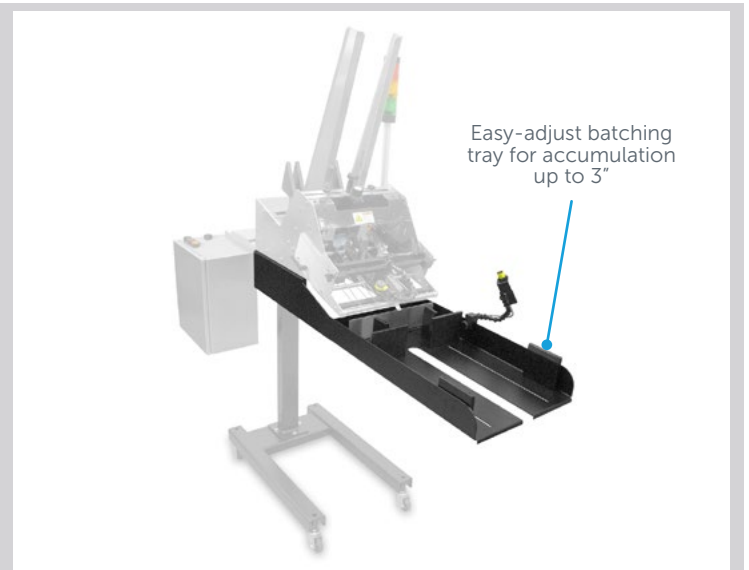
Applications

- Cartoners
- Case Packers
- Collators
- Envelope Inserters
- Flow Wrappers
- Poly-baggers
- Order Fulfillment
- Shrink Wrappers

Products

- Booklets
- Brochures
- Cardstock
- Collapsed Cartons
- Envelopes
- Folded Documents
- Folders
- Literature
- Manuals
- Retail Signage
- Sheet Paper

Contact our experienced sales team today for a comprehensive review of your application/product and see how our Batching Tray can benefit your company.



Specifications

Maximum Product Size

12" wide x 18" long (305 x 457 mm)

Minimum Product Size

3.5" wide x 3.5" long (89 x 89 mm)

Min/Max Product Thickness

.003" to .10" (.076 to 25.4 mm)

Belt Speed

4,000 in/min (101.6 m/min)

Batch Size

Up to 3" stack (76 mm)

Utilities

115/230vac, 50/60 Hz, 3A

Weight

Feeder: 89 lbs. (40 kg); Stand: 54 lbs. (24 kg)

Warranty

One year limited

Other sizes and thickness capabilities available.

Hayssen | Rose Forgrove | Sandiacre | Schib | Simionato | Streamfeeder | Symach | Thiele

Streamfeeder - BW Flexible Systems

315 27th Avenue Northeast | Minneapolis, MN 55418 USA

+1 (763) 502-0000 Streamfeeder.com

2022.02

barrywehmiller
bw
betterworld